

Luminet Dark Fibre Services for Equinix

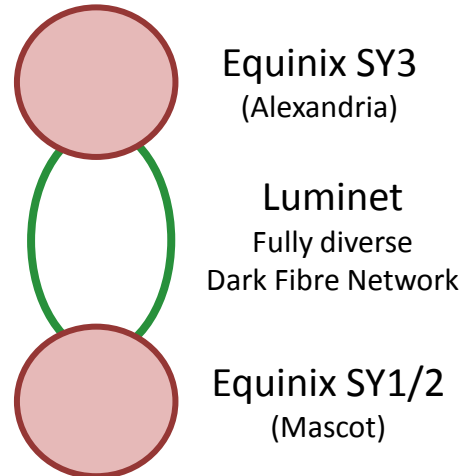
When Equinix deployed its latest 18,000m² IBX Data Centre (SY3) in Alexandria, it knew it needed a reliable Dark Fibre provider to connect the site to its existing IBX Data Centre (SY1/2) in Mascot.

Luminet was the answer.

Luminet deployed a fully diverse, dual path Dark Fibre ring containing more than 1,000 cores between the SY1 and SY3 over a distance of more than 5km.

The result is that Equinix now deploy all its inter-site cross connects using the Luminet Dark Fibre network to essentially create one large virtual centre.

Equinix now enjoy the high performance, security and reliability of the Luminet network whilst being fully covered by the Luminet 24x7 support services.



Solution Benefits

Maximum Performance

Delivered through the unrestricted bandwidth capacity capabilities of Dark Fibre.

Maximum Security

Achieved through the point-to-point nature of Dark Fibre. The links are dedicated to Equinix with no active third party network elements between the two sites.

Maximum Reliability

Accomplished through passive end-to-end hard-spliced fibre connections with no intermediary network or switching equipment, and backed by a full 24x7 service support team.



Luminet is a fully licensed telecommunications carrier that focuses purely on providing high performance Dark Fibre network links.

Luminet combines an experienced team, the latest optical fibre technologies, and a full portfolio of support services to provide you with complete end-to-end Dark Fibre solutions.

Luminet owns and maintains its own Dark Fibre network which means you can be assured of receiving rapid, effective and qualified support at all times from a team of Dark Fibre professionals.

Luminet. Dark Fibre. Pure Focus. Complete Solutions.